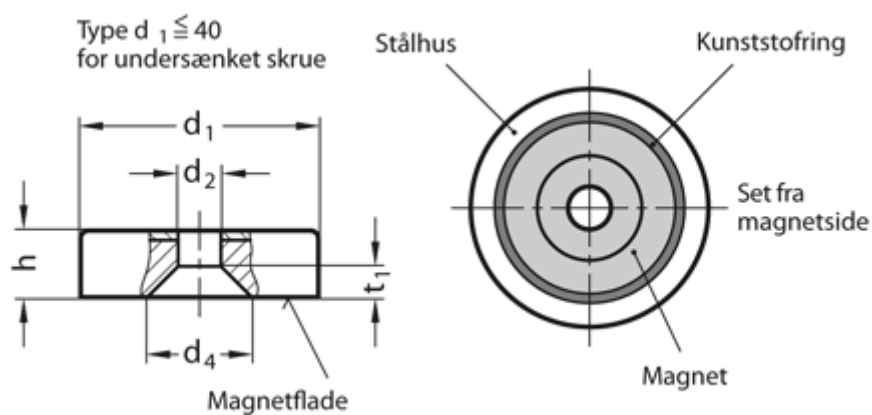


Article number: 201226035

Description: E+G Magnets with bore GN 50.4-HF-40-8-5,5
Hard ferrite - 200° C, 90N

Measures



d_1 = $40 +0,2/-0,1$

d_2 = 5.5

d_4 = 11.5

h = $8 +0,4/-0,1$

Holding force N = 90

Material = HF hard ferrite - 200°.C

t = 3.5